

The Extec C-10⁺



EXTEC C-10+



This compact self-propelled machine brings the revolutionary features of the Extec C-12+ to the smaller quarry or demolition site, where operating space is limited, yet high performance required. Of most sturdy construction, its power management coupled with unique jaw design make it an icon for this category of crusher.

Applications include:

- Granite, slate, bricks, Limestone, Recycling and demolition
- Rock crushing in quarries
- Concrete crushing in recycling yards, demolition sites and construction sites
- Asphalt crushing

The following features document includes:

- Key features of Extec C-10+
- C-10+ Technical Specification
- Product features and Benefits
- Transport & Working drawings



Key features of Exttec C-10+

- Vogel Jaw Greasing System
- Heavy Steel Web and Flange Construction
- CAT C6.6 engine
- Unique high crushing speed
- Reverse crushing action to relieve blockages
- Excellent product size reduction
- Vibrating feeder automatically controls the flow of material to the crusher
- Self propelled on site yet travels on road without ancillary transport.
- Improved main and Side conveyor chute
- Smooth and even tracking action
- Upgraded Electronics



C-10⁺ Basic Data

Feed Opening	1000 x 650 mm	39" x 25"
Crusher Speed	300 rpm	
Drive	Hydraulic	
Hopper Width	1890 mm	6' 2"
Feeder Width	800 mm	2' 8"
Feeder Length	3580 mm	11' 9"
Transport Length	11841 mm	38' 10"
Transport Width	2406 mm	7' 11"
Transport Height	3152 mm	10' 4"
Working Length	12491 mm	41'
Working Width	4796 mm	15' 7"
Working Height	4063 mm	13' 3"
Engine	CAT C6.6	
Power	166 kW	215hp
Weight	32100 kg	70,768lbs



Powerful Jaws able to crush even the toughest rock products



Large gap between discharge point of crusher and conveyor eliminates blockages and facilitates cleaning.



Large vibrating feeder with grizzly and discharge conveyor for fines.



Maintenance platforms are provided on the right hand side of the crusher



Optional Extended main conveyor - no need for ramps for onward machine feeding and stock piles



Side conveyor- collects fines passing through grizzly bars.

Optional extended side conveyor available



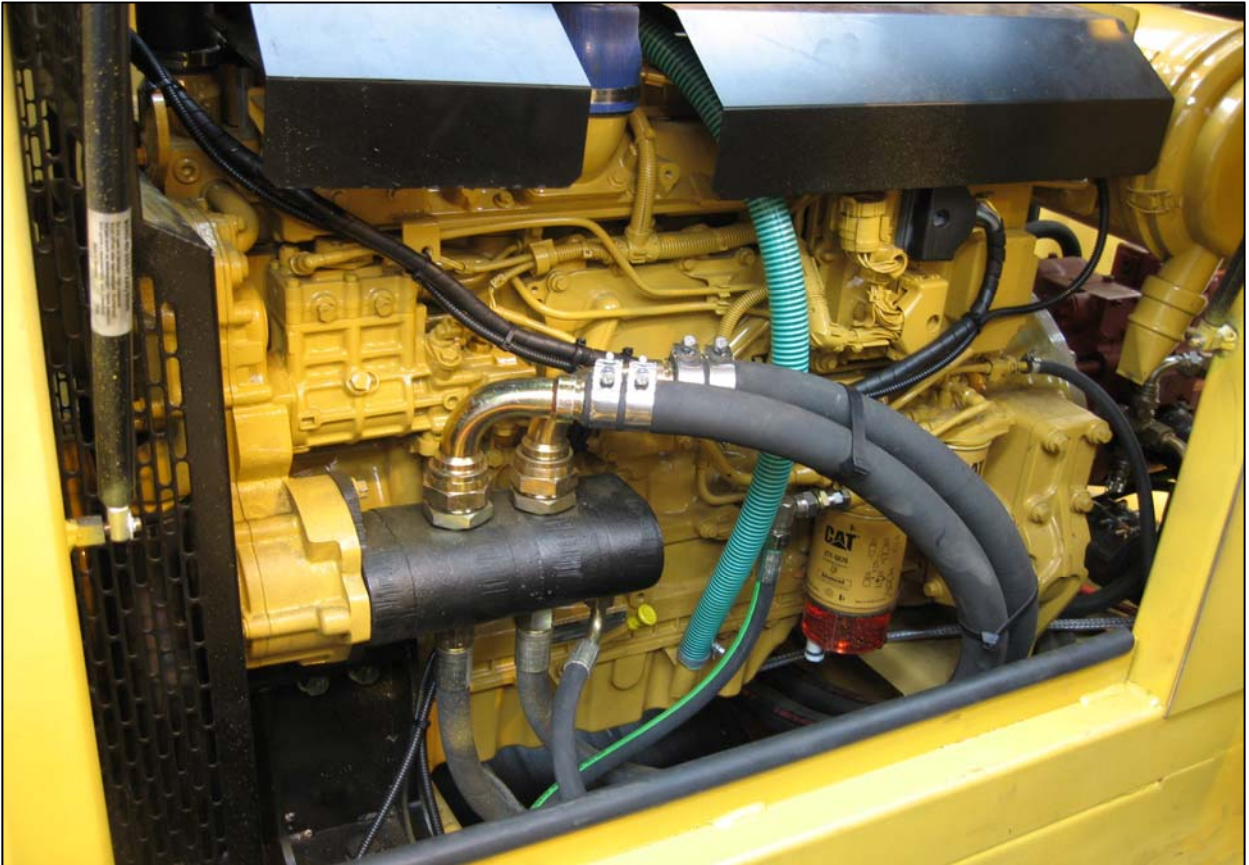
Machine raises on its hydraulic legs to facilitate cleaning and servicing of tracks



Magnetic Separator – effective removal of metal



Powerpack - easy access for maintenance and service



Cat C6.6 engine



Control box- easy adjustments at the touch of a button



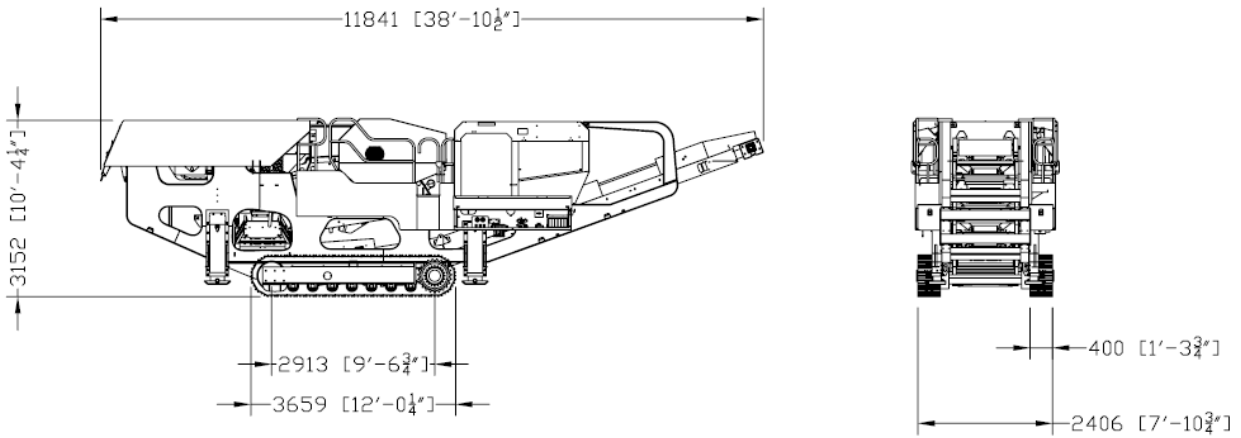


Optional Bogie Transport System

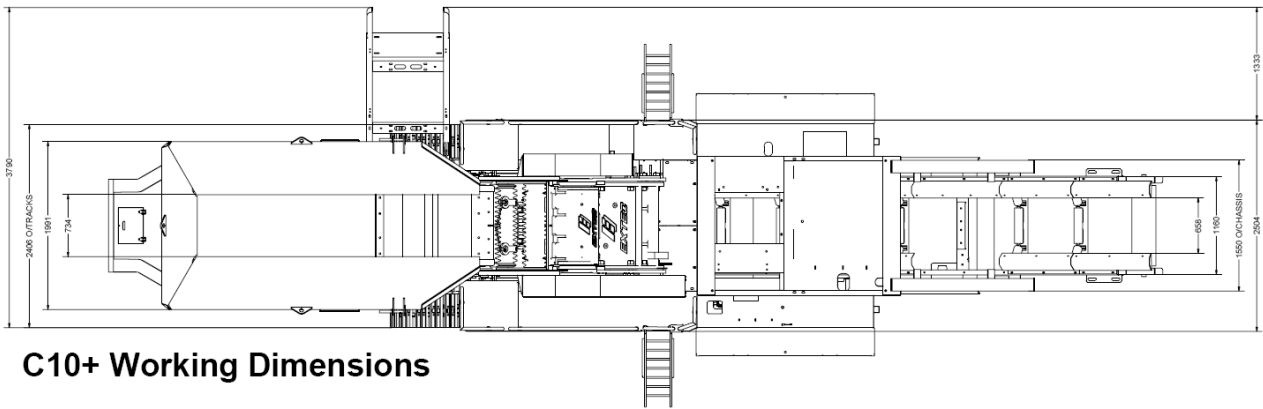


Heavy Steel Web and Flange Chassis

C-10+ Transport and Working Dimensions



C-10 Jaw Crusher Transport Dimensions



C10+ Working Dimensions

